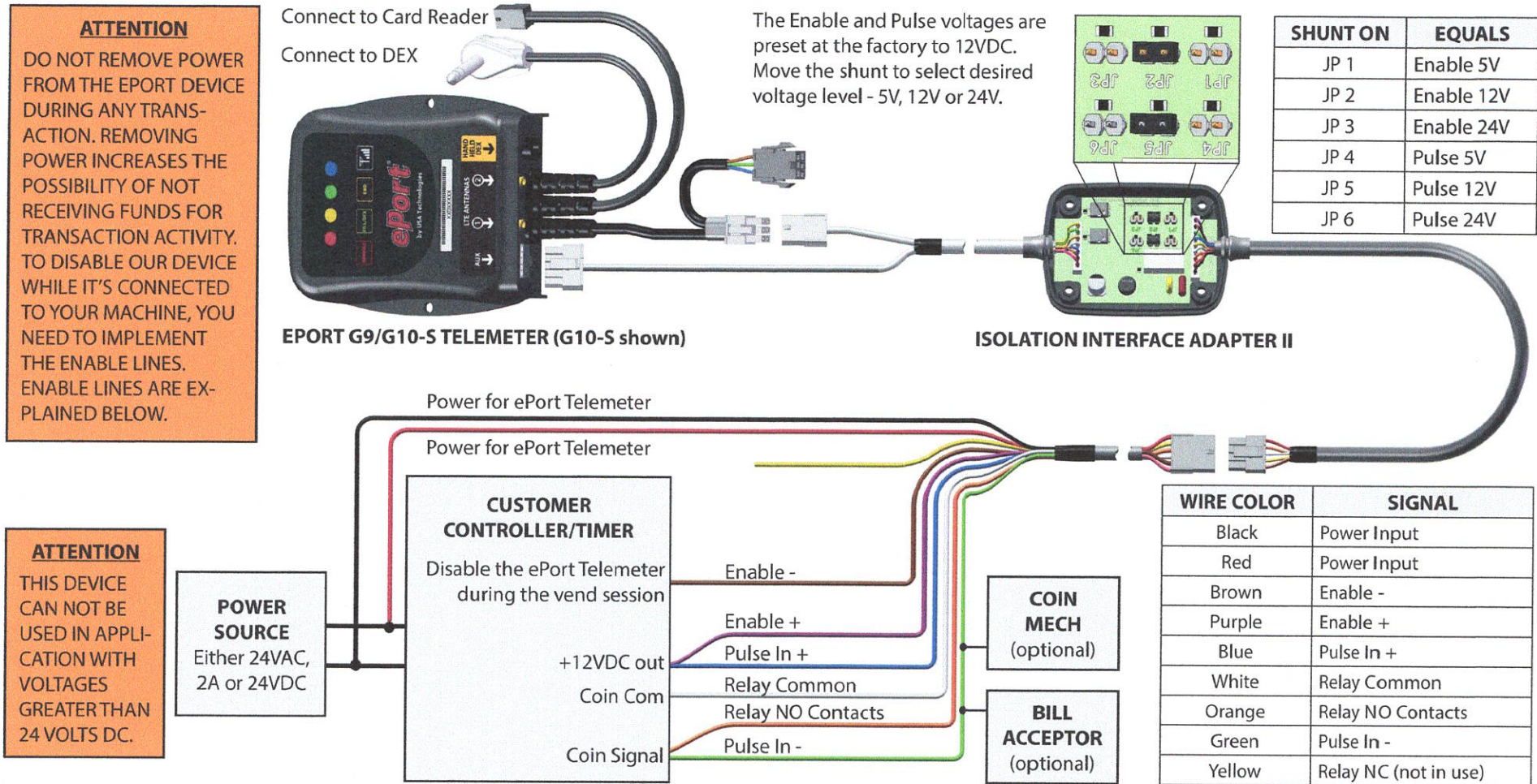


Isolation Interface Adapter II - Sample Installation of ePort G9/G10-S Telemeter Using Pulse Interface



EPORT POWER: The Red and Black wires are used to power the ePort Telemeter. Either a 24VAC, 2A or a 24VDC, 2A power supply is recommended.

COIN PULSE RELAY: The Orange, White, and Yellow wires are all part of the relay circuit. The Isolation Interface Adapter eliminates the need for you to design your own relay interface, by offering the flexibility of either a normally open or normally closed set of contacts. These contacts are operated by the Telemeter's pulse output circuitry, and can control an external load of up to 2A at 24VDC. These settings are settable by a USAT Customer Service Representative or by using USALive.

ENABLE SIGNAL: The Brown and Purple wires are used to Enable or Disable card acceptance. This circuit is designed to disable the ePort Telemeter from accepting cards while in the middle of a vend session, or when a system error occurs. You may choose not to use this feature if you intend on accepting cards during the vend session (i.e. add time, top-off...).

The user may disable the card reader during a vend session by applying the Controller's Enable output signal to these wires. In an active low system, 0.0 VDC should be applied. In an active high system the voltage must be at least 90% of the maximum voltage of the system (5VDC, 12VDC, 24VDC). Follow the table shown in the top right hand corner of this document to select the correct jumper (JP1, JP2, and JP3) for the voltage level of the host system. The only valid voltage signal levels are 0.0 Volt for the low signal level, and the selected system's voltage level for the high signal level.

CASH REPORTING: The Blue and Green wires are used to enable cash reporting (see diagram for connection). This feature is used by customers that want to monitor and report on their other payment devices such as: Bill Acceptor or Coin Mechanism. This input is configurable in the same way as the ENABLE SIGNAL, and follows the same guidelines for voltage level as discussed in the ENABLE SIGNAL section. Follow the table shown in the top right hand corner of this document to select the correct jumper (JP4, JP5, and JP6) for the voltage level of the host system.